

PARTS MARKED

S2/0
2/0-14
CU9AL
UL Logo
CSA Logo
IHI

■ $\phi .343$

[8.71]

IHI UL/CSA Installation Guide to Drill or Enlarge Mounting Holes:

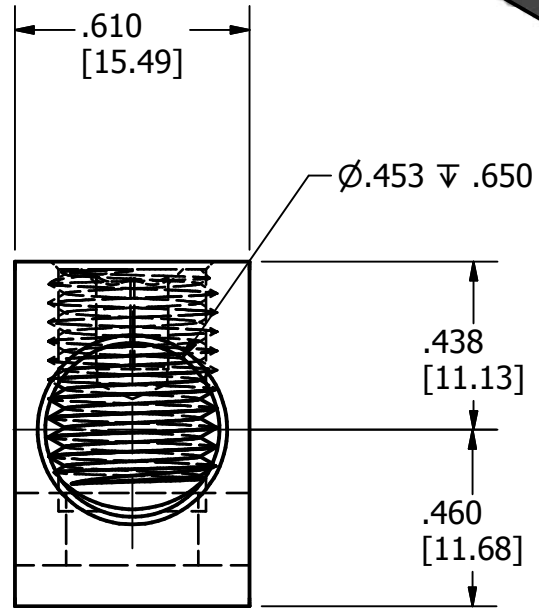
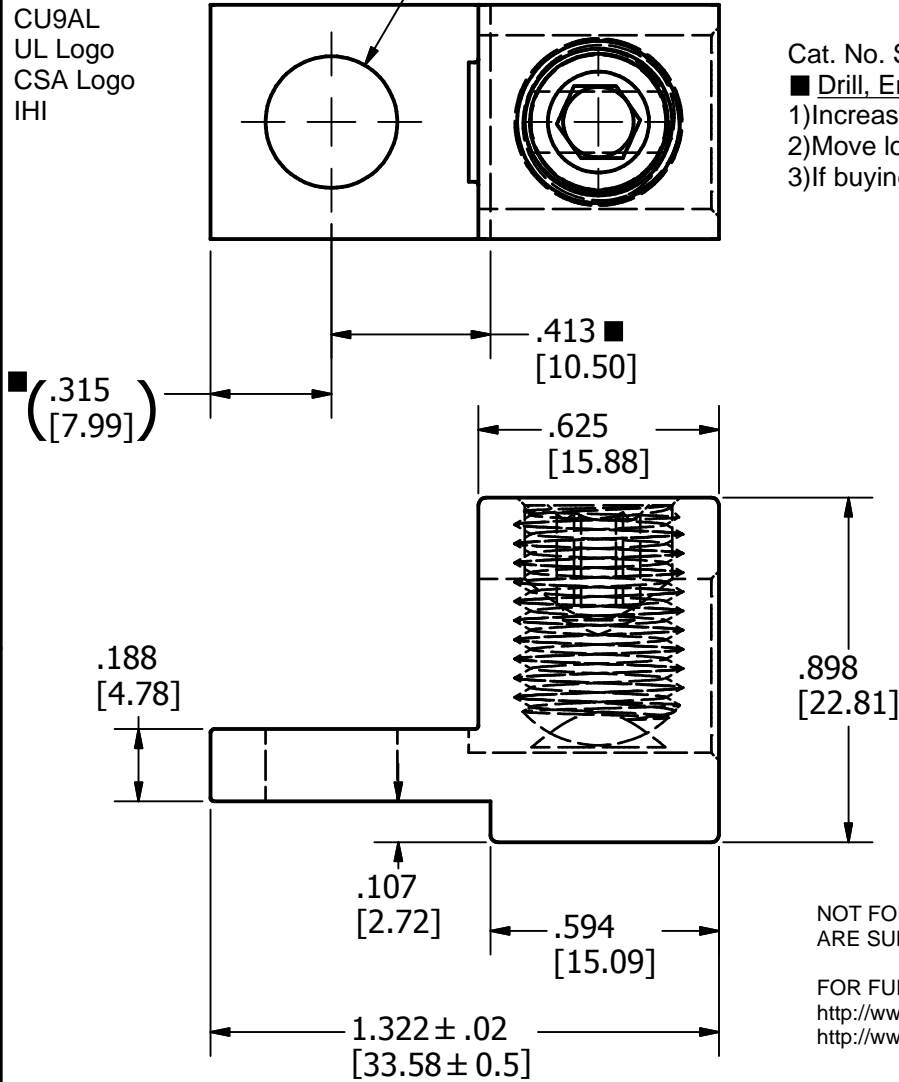
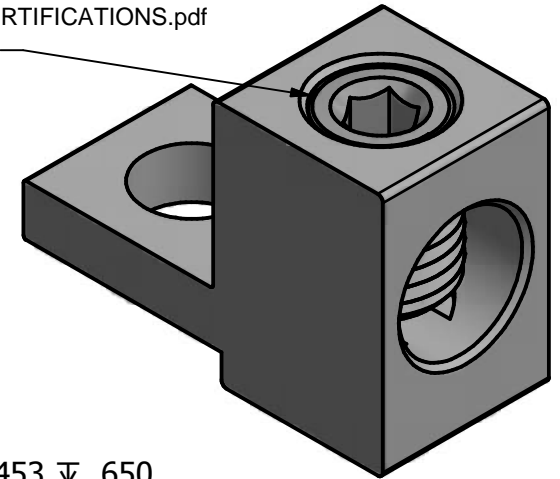
<https://lugsdirect.com/PDF%20Documents/IHI-MTG-HOLE-FIELD-MODS-UL&CSA-CERTIFICATIONS.pdf>

7/16-20 UNF - 2B

Cat. No. S2/0 Style No. ALL

■ Drill, Enlarge, or Modify Mounting Holes

- 1) Increase hole(s) dia. to 1/2 bolt (17/32 drill dia.)
- 2) Move location of mounting hole(s)
- 3) If buying blank lug, put custom hole(s) in.



NOT FOR USE WHERE FAILURE CREATES A HAZARD TO HUMAN HEALTH OR SAFETY. ALL PRODUCTS ARE SUBJECT TO THIS FULL DISCLAIMER: <http://www.ihiconnectors.com/disclaimer.html>

FOR FURTHER INFORMATION ON THE PROPER USE OF THIS PRODUCT IN SPECIFIC APPLICATIONS SEE <http://www.ihiconnectors.com/GuideToFlexFlexibleFineStrandedWireCableMechanicalLugsFAQ.html> <http://www.ihiconnectors.com/Technical-Data-Installation.htm>

FLEX WIRE 1/0-14 AWG

REVISION HISTORY

ZONE	REV	DESCRIPTION	DATE	APPROVED
1.322 WAS 1.200, .188 WAS .181, .107 WAS .114	1	LONGER EXTRN	4/7/2017	CDMR

THIS DRAWING AND DESIGN ARE THE PROPERTY OF INTERNATIONAL HYDRAULICS, INC., CLEVELAND, OHIO, AND MAY NOT BE DUPLICATED, USED FOR THE BASIS OF DESIGN OR MANUFACTURE WITHOUT THE WRITTEN PERMISSION OF INTERNATIONAL HYDRAULICS, INC., CLEVELAND, OHIO.					INTERNATIONAL HYDRAULICS, INC.				
GENERAL TOLERANCES ±.015 (±0,39)					TITLE: S2-0TP-S-34-41-HEX 2/0-14 TP LUG				
MATERIAL: 6061-T6 X1075TP-S		SIZE: A	DRAWN BY: cridley		DWG NO.:		S2-0TP-S-34-41-HEX		REV: 1
FINISH:		DATE: 1-2-2017		IHI CONNECTORS					