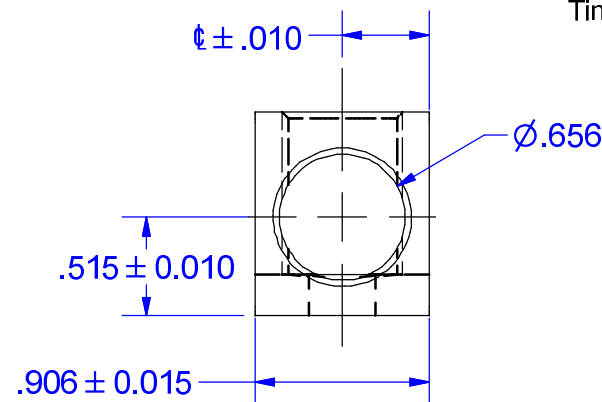


SCREW #14237
(2011-T3 Aluminum)
Tin Plated



- Cat. No. S300 Style No. ALL
- Drill, Enlarge, or Modify Mounting Holes
 - 1) Increase hole(s) dia. to 1/2 bolt (17/32 drill dia.)
 - 2) Move location of mounting hole(s)
 - 3) If buying blank lug, put custom hole(s) in.

PARTS MARKED
300 KCMIL-6
CU9AL
UL LOGO
CSA LOGO
IHI LOGO
S300

IHI UL/CSA Installation Guide to Drill or Enlarge Mounting Holes:
<https://lugsdirect.com/PDF%20Documents/IHI-MTG-HOLE-FIELD-MODS-UL&CSA-CERTIFICATIONS.pdf>

FLEX WIRE 4/0-6 AWG

NOT FOR USE WHERE FAILURE CREATES A HAZARD TO HUMAN HEALTH OR SAFETY. ALL PRODUCTS ARE SUBJECT TO THIS FULL DISCLAIMER: <http://www.ihiconnectors.com/disclaimer.html>

FOR FURTHER INFORMATION ON THE PROPER USE OF THIS PRODUCT IN SPECIFIC APPLICATIONS SEE <http://www.ihiconnectors.com/GuideToFlexFlexibleFineStrandedWireCableMechanicalLugsFAQ.html>
<http://www.ihiconnectors.com/Technical-Data-Installation.htm>

THIS DRAWING AND DESIGN ARE THE PROPERTY OF INTERNATIONAL HYDRAULICS, INC., CLEVELAND, OHIO, AND MAY NOT BE DUPLICATED, USED FOR THE BASIS OF DESIGN OR MANUFACTURE WITHOUT THE WRITTEN PERMISSION OF INTERNATIONAL HYDRAULICS, INC., CLEVELAND, OHIO.		INTERNATIONAL HYDRAULICS, INC.		
GENERAL TOLERANCES $\pm .015$ ($\pm 0,038$)		TITLE: S300 (SALES) CONNECTOR		
MATERIAL: 6061-T6 (X1003)	SIZE:	DRAWN BY: TDS	DWG NO.: S300 (SALES)	REV:
FINISH: TIN PLATE EMS	DATE: 1/8/09	THIS IS A CAD DRAWING, DO NOT MANUALLY REVISE		